

HD222, HD1022

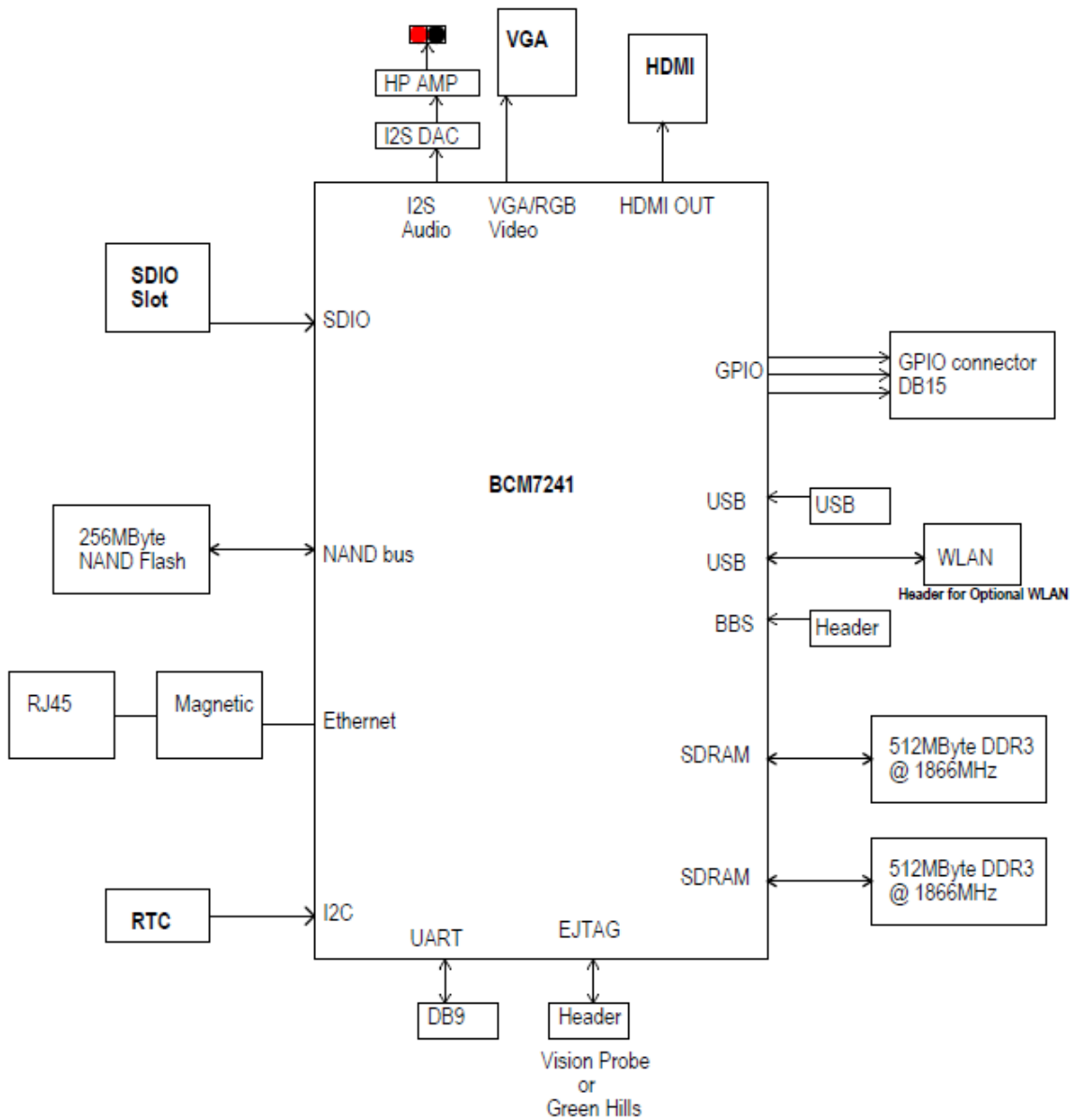
ON THIS PAGE

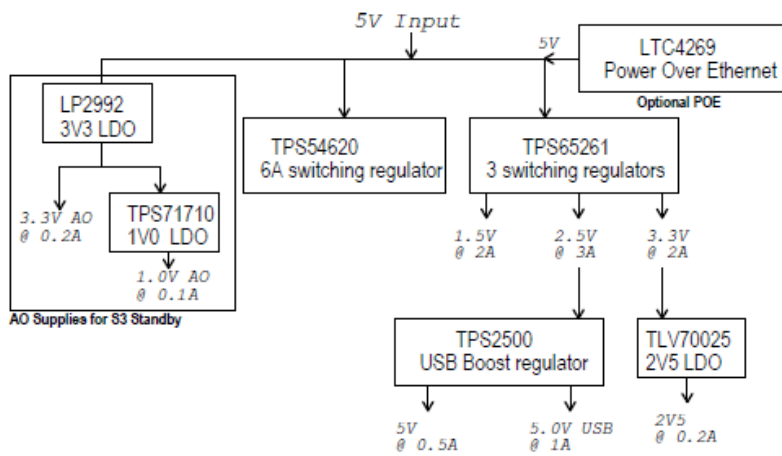
- [Block Diagram](#)
- [Interfaces](#)
 - [HD222](#)
 - [HD1022](#)

The BrightSign HD222 and HD1022 media players can be used to decode images, audio, and video (at resolutions up to 1920x1080x60p) for digital-signage and kiosk applications. In addition to driving audio/video devices, these players can be controlled with various networked and built-in interfaces.

This page specifies the hardware interfaces and operational theory of the HD222 and HD1022.

Block Diagram





Interfaces

HD222

Front	Left	Right	Back
3.5mm audio out	GPIO service button	SDHC/SDXC flash card slot	3.5mm audio out
DA15 GPIO		Status/error LED (red)	GPIO reset button
		Update LED (yellow)	VGA out
		Power LED (green)	HDMI out
		SD activity LED (green)	RJ45 Ethernet
			5V@3A barrel power connector

HD1022

Front	Left	Right	Back
3.5mm audio out	GPIO service button	SDHC/SDXC flash card slot	GPIO reset button
DA15 GPIO	USB 2.0	Status/error LED (red)	VGA out
DE9 RS232 serial (male)		Update LED (yellow)	HDMI out
		Power LED (green)	RJ45 Ethernet
		SD activity LED (green)	5V@3A barrel power connector