

LS423

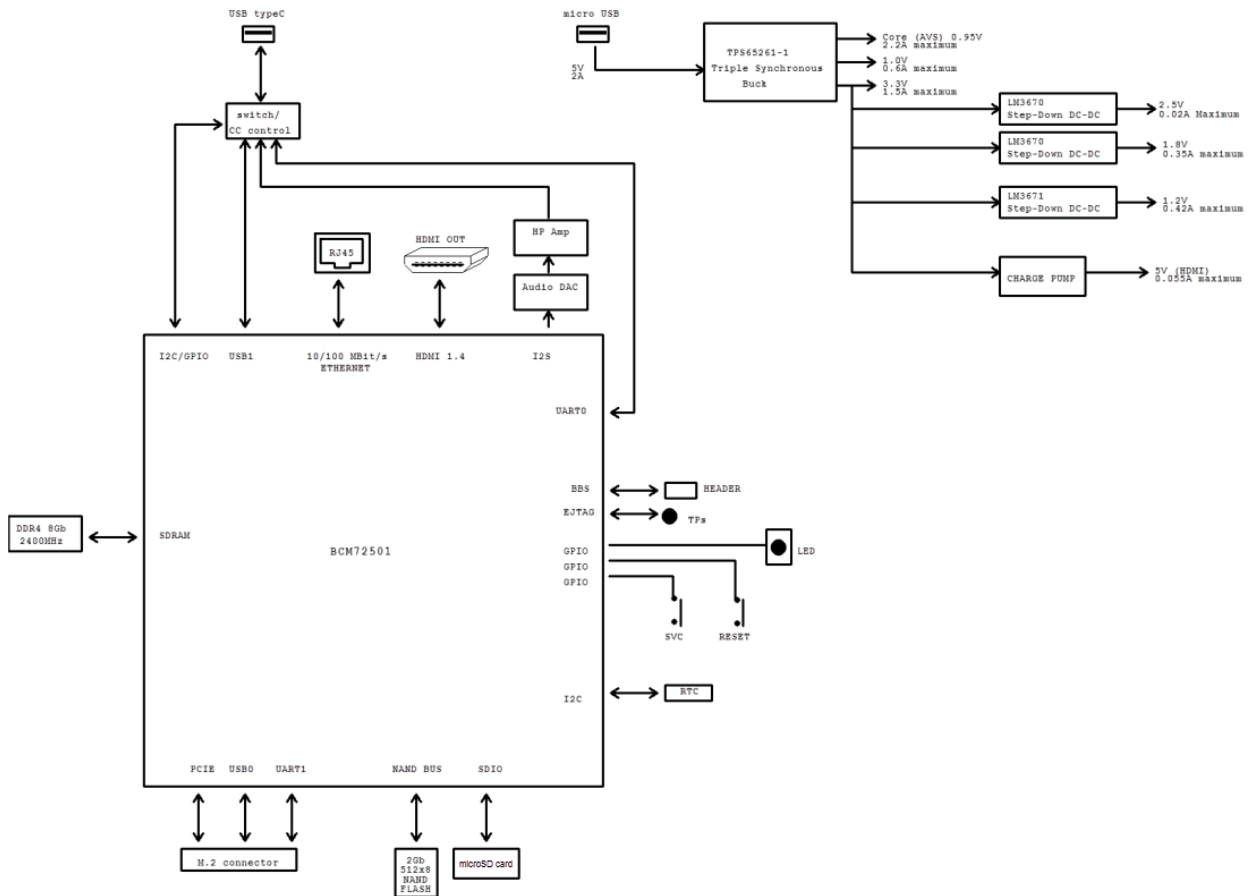
ON THIS PAGE

- [Block Diagram](#)
- [Interfaces](#)

The BrightSign LS423 media player can be used to decode images, audio, and video (at resolutions up to 1920x1080x60p) for digital-signage and kiosk applications. In addition to driving audio/video devices, these players can be controlled with various networked and built-in interfaces.

This manual specifies the hardware interfaces and operational theory of the LS423.

Block Diagram



Interfaces

Front	Back
RJ45 LAN	HDMI out
USB 2.0 (Type-C connector)	Power connector (USB Micro-B)
microSD card slot	Service button (SVC)
Power and status LED (red)	Reset button (Reset)
	WiFi antenna connector