

# XT243, XT1143

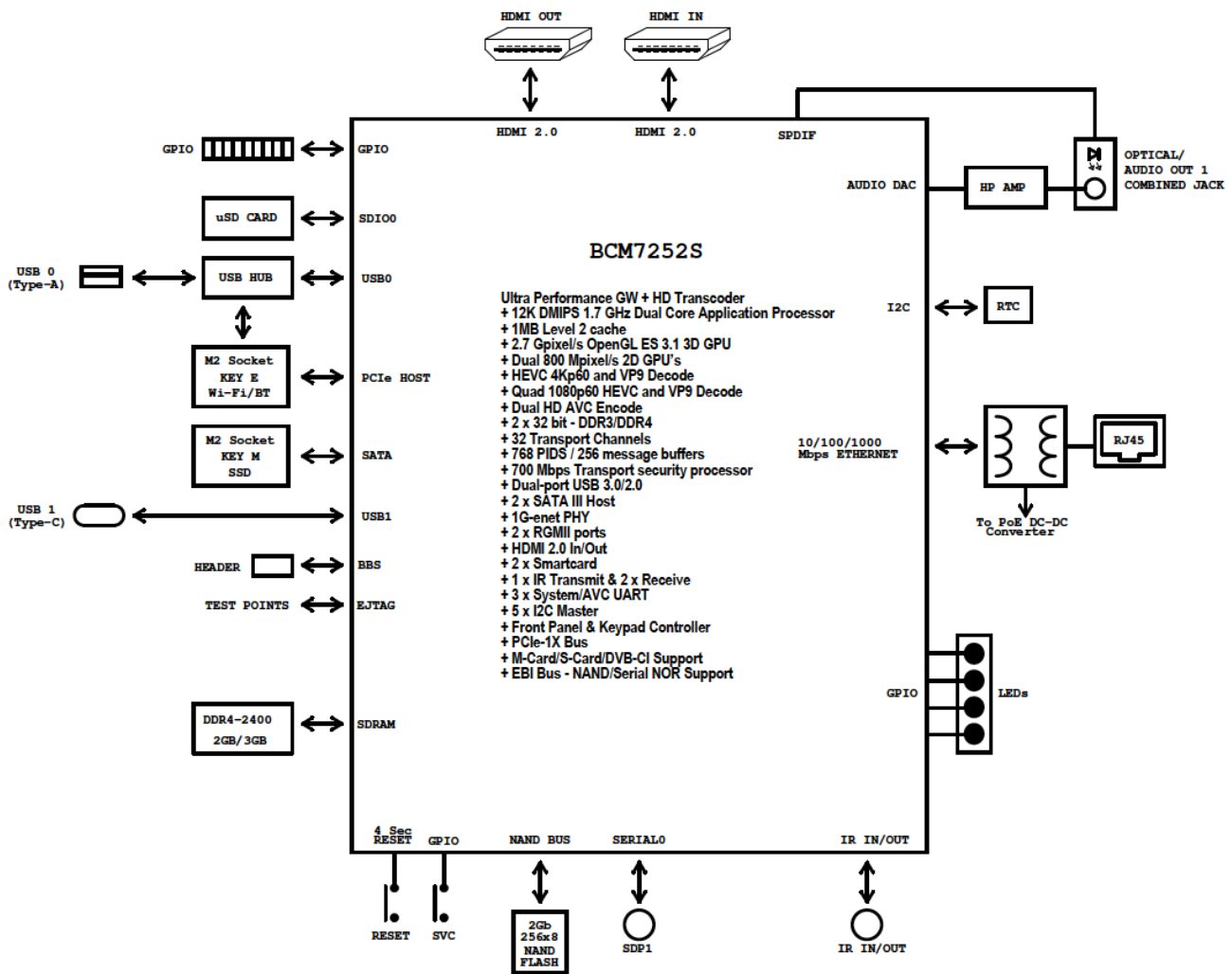
## ON THIS PAGE

- [Block Diagram](#)
- [Interfaces](#)
  - [XT243](#)
  - [XT1143](#)

The BrightSign XT243 and XT1143 media players can be used to decode images, audio, and video (at resolutions up to 4096x2160x60p) for digital-signage and kiosk applications. In addition to driving audio/video devices, these players can be controlled with various networked and built-in interfaces.

This manual specifies the hardware interfaces and operational theory of the XTx43 series.

## Block Diagram



## Interfaces

### XT243

Front	Back
-------	------

Status LEDs	WiFi antenna connector (1 of 2)
microSD card slot	3.5mm audio out
HDMI out	3.5mm IR in/out
Service button (SVC)	GPIO (12 pins)
Reset button (Reset)	12V@3A Molex power connector
RJ45 LAN	WiFi antenna connector (2 of 2)

## XT1143

Front	Back
Status LEDs	WiFi antenna connector (1 of 2)
microSD card slot	3.5mm audio out
HDMI out	USB 2.0 (Type A connector)
HDMI in	3.5mm IR in/out
USB 2.0 (Type C connector)	3.5mm serial
GPIO service button (SVC)	GPIO (12 pins)
GPIO reset button (Reset)	12V@3A Molex power connector
RJ45 LAN	WiFi antenna connector (2 of 2)